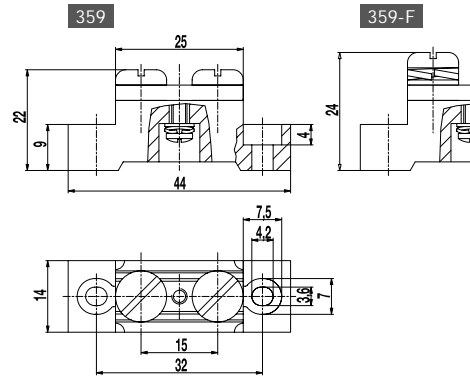
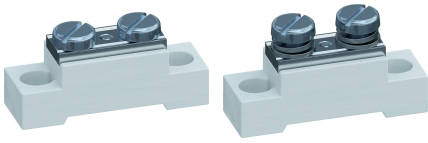


# 359 / 359-F

Flat screw terminals

Heavy-duty version with grooved flat terminals, 1-pole



## GENERAL INFORMATION

No. of poles 1

## TECHNICAL DATA

Clamping Range	<i>solid / stranded / AWG</i> 0,5 - 6 mm <sup>2</sup> / 0,5 - 2,5 mm <sup>2</sup> / 20 - 14 AWG [1][2]
Rated Cross Section	6 mm <sup>2</sup>
Wire Stripping Length	11,5 mm ± 1 mm
Rated Insulation Voltage	750 V acc. to EN 60998-1
Rated Current	41 A
Torque	2,0 Nm
Fixing Holes	∅ 3,6 mm
Distance	32 mm
Base mounting	Recommendation: Screw M3 with matching washer; max. torque 0.8 Nm; use of an elastic & insulating substrate.
Other specifications	Terminal strips must not be strung together without considering the clearance and creepage distances. Rated values apply to use in combination with insulated substrates.

## MATERIAL

Base material	Technical ceramics
Comparative Tracking Index	CTI ≥ 600
Insulating Group	I
Temperature Range	-40°C up to 250°C
Spring washer	Zinc plated steel
Screw terminal	Nickel plated brass
Screw	M5; M3; Zinc plated steel
Washer	Zinc plated steel

## OPTIONS / ACCESSORIES

- Versions only with washers

[1] The clamping range for flexible and AWG conductors was determined using ferrules. Use of flexible conductors without ferrules is not recommended.  
[2] Per pole two wires of identical cross-section can be connected.

## CONFIGURATIONS

Item	Article number	PU
359	53.636.004	65
359-F	50.636.004	65